

Explosion Proof Type LED Lighting Fittings

WLZIA



NEW
to be released
in October 2019

SEIWA

Made in THAILAND

Hazardous Area Zone 1/2

Ex d IIB+H1 (G15/G14)

Temp. of Protection Class T4

Lamp Life 60,000 hours



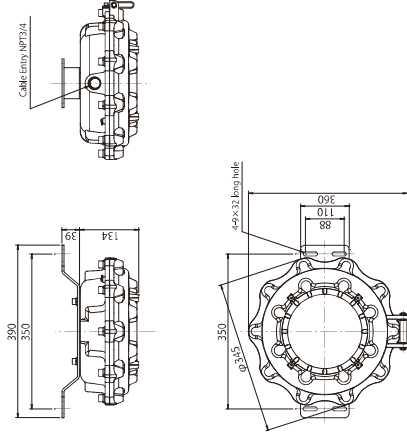
IEC 1995-2/51

- Applicable to both Zone 1 and Zone 2.
- High power output LED which has the same brightness as HPS-400W.
- Able to use in H₂ generated area
- Excellent lightning resistance : 15KV
- Corrosion proof compact body

Line-up	WLZIA
---------	-------

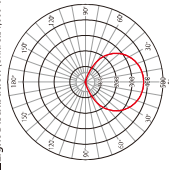
- Specify for Order
- 1) Model no. 2) Cable entry
- Dimensions

Ceiling Type



WLZIA

Light Distribution (Unit: cd/1,000 lm)



Luminance Intensity Table

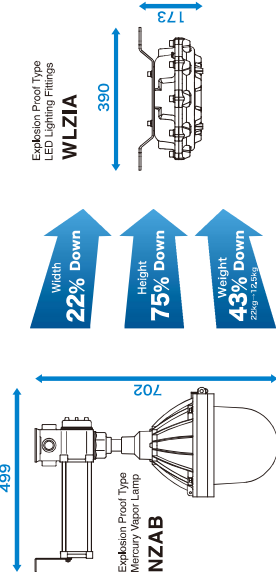
View/Height	Luminance	View/Height	Luminance
0	373.7	100	0
10	368.8	110	0.1
20	352.6	120	0.1
30	334.4	130	0.1
40	294.8	140	0.1
50	230.7	150	0.1
60	159.6	160	0.2
80	52.7	180	0.2
90	0	180	0.2

Utilization Factor Table

Room Volume (m³)	50%	70%	90%	100%	50%	70%	90%	100%	0%
0.00	0.661	0.357	0.335	0.456	0.385	0.334	0.378	0.332	0.313
1.00	0.657	0.559	0.337	0.642	0.531	0.533	0.530	0.509	0.509
1.25	0.727	0.652	0.613	0.716	0.654	0.698	0.644	0.654	0.582
1.50	0.789	0.726	0.757	0.830	0.746	0.749	0.773	0.741	0.717
2.00	0.893	0.849	0.811	0.927	0.835	0.807	0.821	0.829	0.768
2.50	0.951	0.930	0.902	0.959	0.913	0.889	0.897	0.896	0.850
3.00	0.982	0.955	0.932	0.966	0.938	0.917	0.920	0.903	0.856
3.50	1.001	1.017	1.001	1.009	1.001	0.985	0.978	0.967	0.932

Light source : LED (ø 4.4m)
Luminance Efficiency : 100%

Size comparison :



- Width 22% Down
- Height 75% Down
- Weight 43% Down (Zap. 12.0kg)

Please note that information regarding this new model is subject to change.

Specifications

Rated Voltage	220~242V AC	Beam Angle	110°
Frequency	50/60 Hz	Type of Protection	Ex d IIB+H1 T5 (TA)*
Power Consumption	152W	Degree of Protection	IP 67
Luminare Flux	16,500 lm	Ambient Temperature	-20 ~ +55°C
Input Energy Consumption Efficiency	108.6 lm/W	Body Material	ADC 12
Light Source	White LED	Paint Specification	Behind acrylic paint
Correlated Color Temperature	5,000 K	Cable Entry	NPT 3/4", NPT 1/2, G3/4, G1/2, M25 or M20
Luminaire Life	60,000 hours	Weight	12.5 kg
General Color Rendering Index	Ra 70		